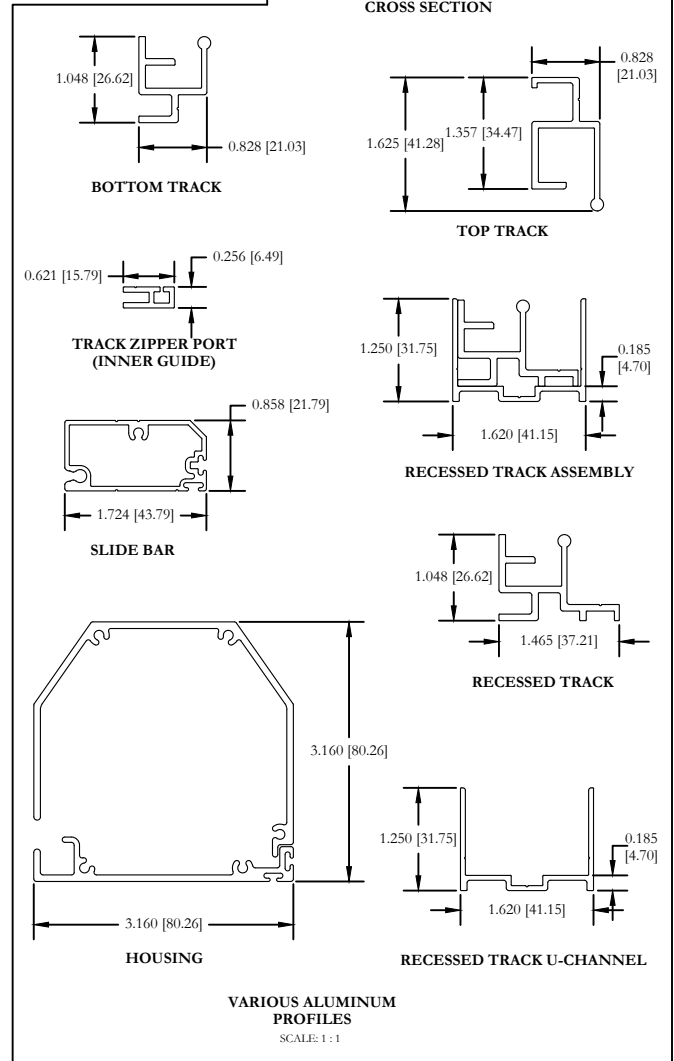
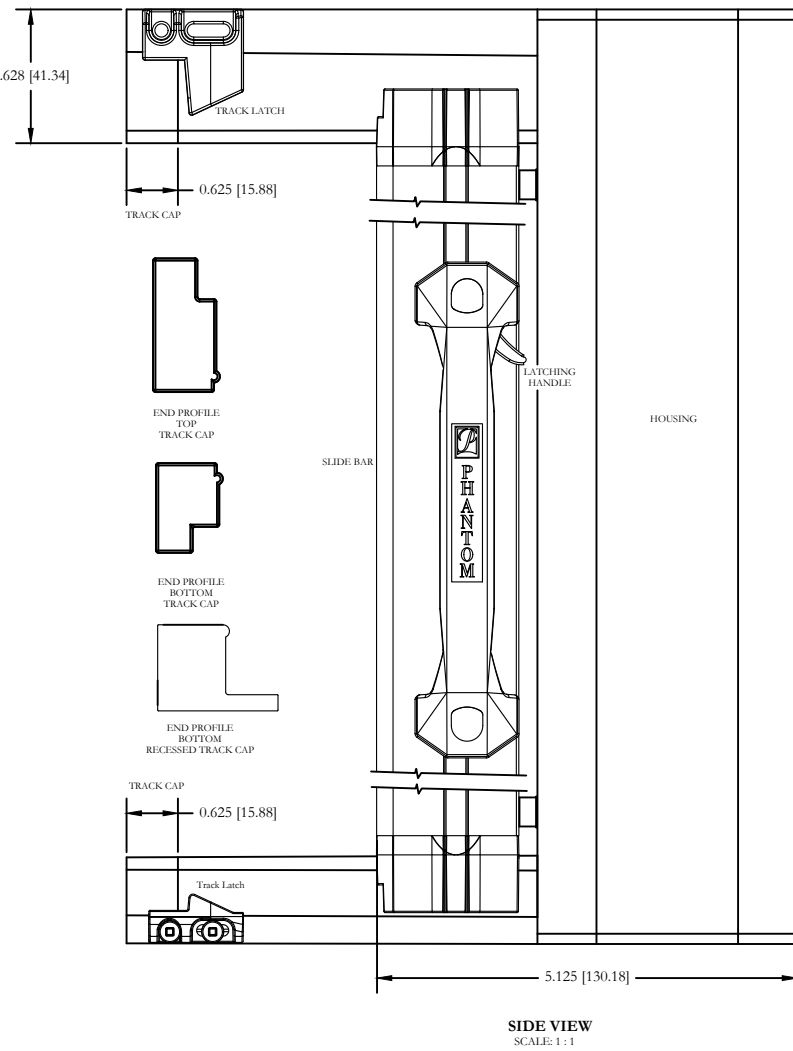
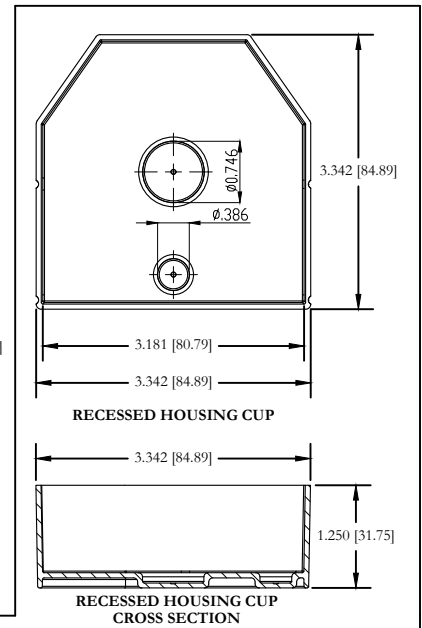
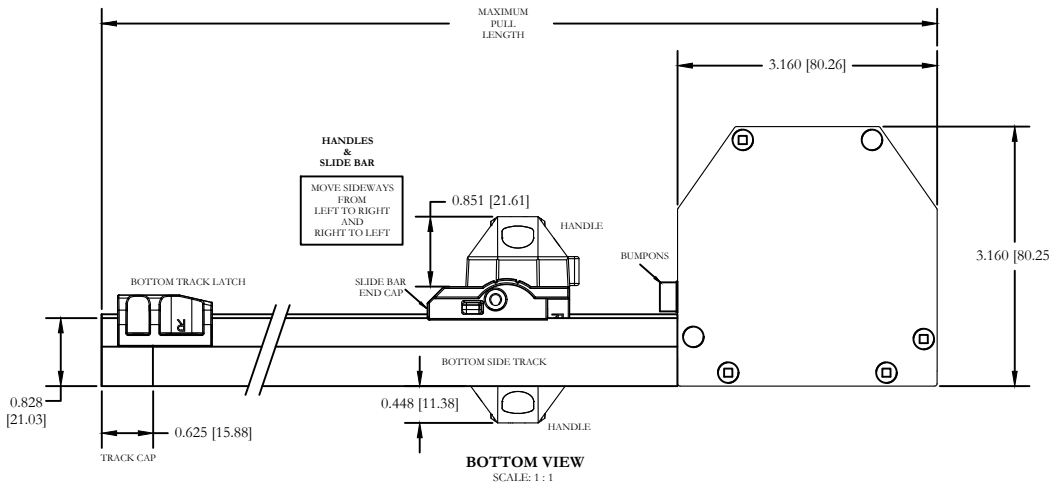


# MANUAL WALL SCREEN

## Detail Views

ALL DIMENSIONS ARE SHOWN IN INCHES WITH MILLIMETERS IN BRACKETS



- NOTE(S):**
1. DRAWINGS SUBJECT TO CHANGE
  2. PDF DRAWINGS ARE NON-SCALABLE ON A SHEET THIS SIZE
  3. FOR TO SCALE AUTOCAD DRAWINGS REFER TO WEB SITE

Rev 2	Addition of XL Track Cap	N.D.R.	09/20/2018
Rev 1	Addition of Zipper Port to parts list	N.D.R.	01/22/2018
Rev #	Discription of Revision	Appr. by	Rev Date

**BLACK ROCK™**  
RETRACTABLE  
AN AUTHORIZED PHANTOM SCREENS DEALER