

Motorized Retractable Wall Screen

4 Inch Housing Design Specifications -

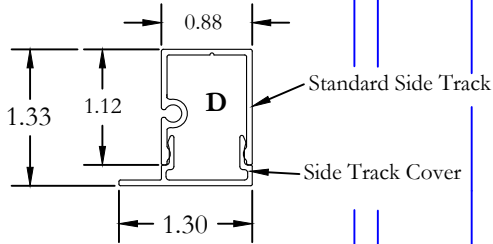
System With Standard Side Track

(External Assembled View)

FOR ILLUSTRATION PURPOSES - ONLY CROSS SECTIONS DRAWN TO SCALE

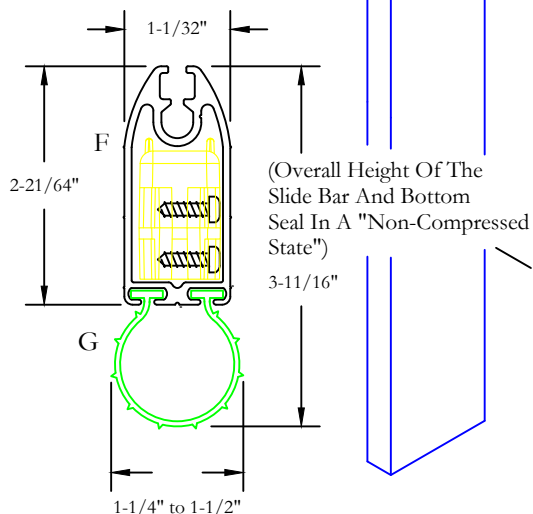
Parts Spec

- A Housing Assembly: (4"W x 4"H)
- B #8 x 1" Corrosion Resistant Fastener (Color Matched)
3 Fasteners per End Cap
- C PVC Coated Fiberglass Mesh
or other - see Mesh Specifications
- D Standard Side Track c/w Cover (0.88" W x 1.12" D)
- E #8 or #10 Corrosion Resistant Fastener
Type and length of screws may vary depending on type of mounting surface
- F Slide Bar c/w Probe Assembly
- G Bottom Seal: availability
Brush Pile - 3/4" (Black Only)
3/4" and 6" Vinyl (Black and Grey)
- H Mounting Surface



CROSS SECTIONAL VIEW OF THE SMALL EXECUTIVE STANDARD SIDE TRACK

Scale: 1 : 1

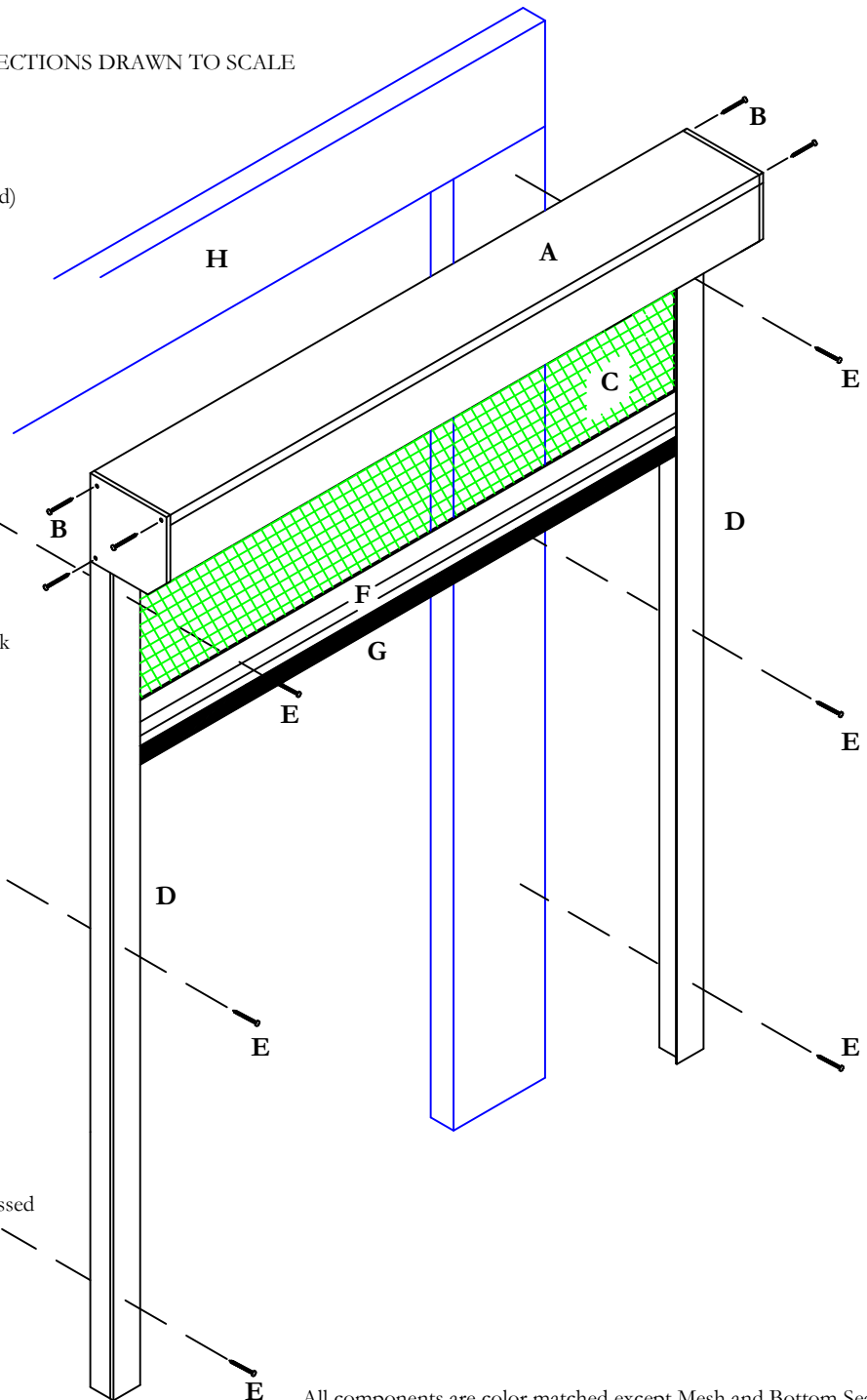


(Based On Compression)
CROSS SECTIONAL VIEW OF THE SLIDE BAR AND OPTIONAL 4" BOTTOM SEAL

Scale: 1 : 1

Note:

For Bottom Seal options see Parts Spec Item G.



All components are color matched except Mesh and Bottom Seal.

2. Title change	03/06/18
1. Change Slide Bar and Probe to Universal Version.	



BLACK ROCK™

R E T R A C T A B L E

AN AUTHORIZED PHANTOM SCREENS DEALER